



MODEL:

AJ-B-2SG6L

AQUAJET
manufactured by **MECHLINE**

AquaJet Mixer Tap with Lever control and 150mm Swivel Gooseneck Spout

Manufacturer: Mechline Developments

Brand: AquaJet

Model Range: AquaJet 20

Base: AJ-B-20

Pedestal: Single Hole

Mount: Deck mounted

Water Feed: Twin

Controls: Lever

Tap Type: Monobloc Mixer

Spout: 150mm swivel gooseneck

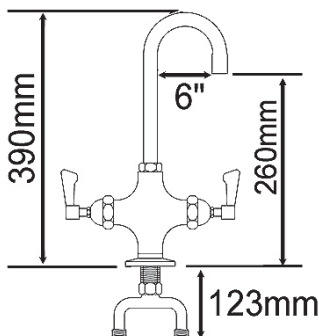
Accreditation: WRAS

FEATURES & BENEFITS

- Comprehensive range of taps manufactured to meet the rigours of commercial catering.
- High quality, robust construction specifically designed for commercial kitchens.
- Easy lever operation.
- Selection of spouts to suit most applications.
- Spare parts available.
- WRAS approved.

TECHNICAL INFO

- Connection(s): 1/2-inch
- Worktop hole: 30mm
- Recommended working pressure: 1.5 - 5 bar
- Flow rates: 5.97 lpm tested at 3 bar pressure.



MAINTENANCE & CLEANING

Cleaning chrome: Do not use abrasive, chlorine or acid-based cleaning products. Avoid contact with concentrated bleach. Clean with soapy water using a cloth or sponge.

Dimensions are in millimeters. If a CAD file is required please visit www.mechline.com.



MECHLINE DEVELOPMENTS LIMITED

Tel: +44 (0)1908 261511 | Email: info@mechline.com | Web: www.mechline.com